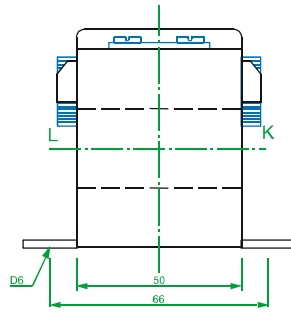
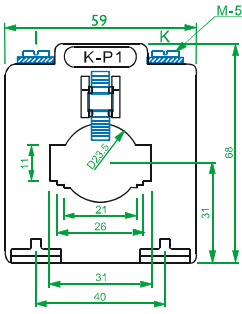


**Current Transformer**  
**Window – Type**  
**0.72/ 3kV; 50 – 60 Hz**

MAG ELECTRIC Co.



**Type AL1**



**Window Sizes**

**Bars**

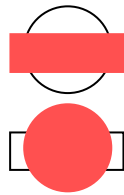
**30 × 10 or**

**20 × 10**

**Round conductors up to 23 Ø**

*Accessories on request:*  
*Secondary terminal cover*  
*Mounting feet*

Dimensions in mm

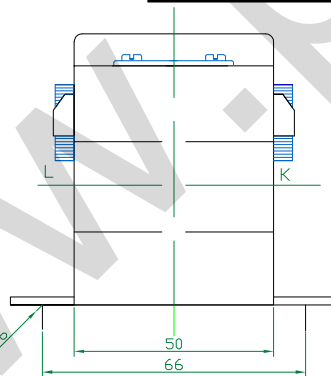
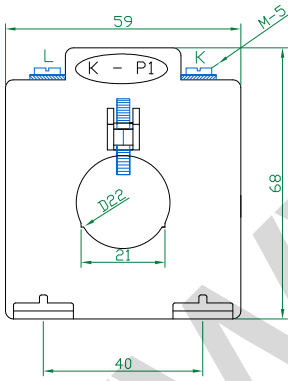


Secondary Primary	1A,5A Class 0.5 Max(VA)	Class 1 Max(VA)	Class 3 Max(VA)
50 *	5	5	7.5
75 *	10	10	12.5
100	5	5	7.5
150	10	10	12.5
200	10	12.5	15
250	12.5	15	17.5
300	15	17.5	20
400	15	17.5	22.5
500	15	17.5	27.5
600	15	17.5	27.5

*Other VA-Ratings, special ratios and CT's class 0.2 on request*

★ Only for cable conductors with primary 2 turns-for VA ≥ 1.25(CL0.5,1) VA ≥ 2.5 (CL 3)

**Type AL1N**



**Window Sizes**

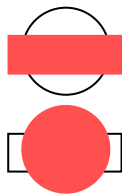
**Bars**

**20 × 10**

**Round conductors up to 22 Ø**

*Accessories on request:*  
*Secondary terminal cover*  
*Mounting feet*

Dimensions in mm



Secondary Primary	1A,5A Class 0.5 Max(VA)	Class 1 Max(VA)	Class 3 Max(VA)
50 *	5	5	7.5
75 *	10	10	12.5
100	5	5	7.5
150	10	10	12.5
200	10	12.5	15
250	12.5	15	17.5
300	15	17.5	20

*Other VA-Ratings, special ratios and CT's class 0.2 on request*

★ Only for cable conductors with primary 2 turns-for VA ≥ 1.25(CL0.5,1) VA ≥ 2.5 (CL 3)

**! It is recommended to select the minimum required VA, otherwise the CTs security factor and price will increase.**